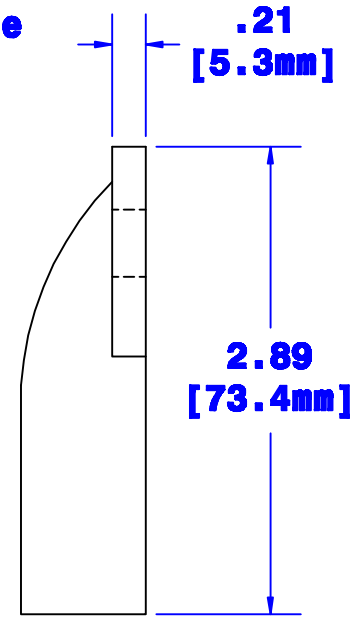
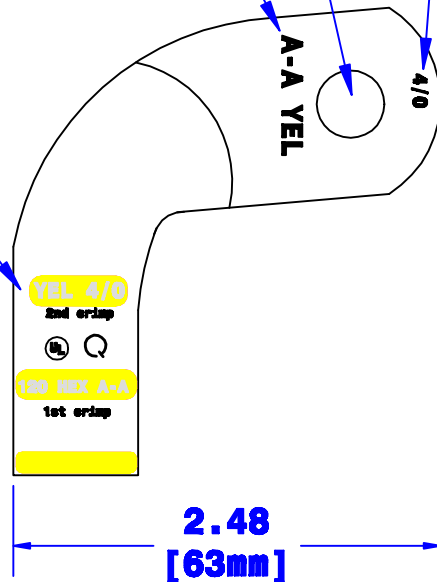


Sized for 3/8" [M10] Stud

Stamped Crimp Info

Stamped Gauge Size

Printed Crimp Info



Sized for 4/0 [103mm²] Cable

TITLE	
Magna Lug	
4/0 [103mm²]	
PART #	76-6480

Rev	Date	ECN#	By	Description
A	7-22-09	1904	BS	Updated drawing

Drawn By	Date	Checked By	Scale
Jim H	6-22-05	Mike E	None
Tolerances, unless otherwise noted			
Dimensions are reference only			

Material & Treatment
Copper Tube
Tin Plated

Drawing #	REV
4/OR_YEL	A
Sheet 1	of 1