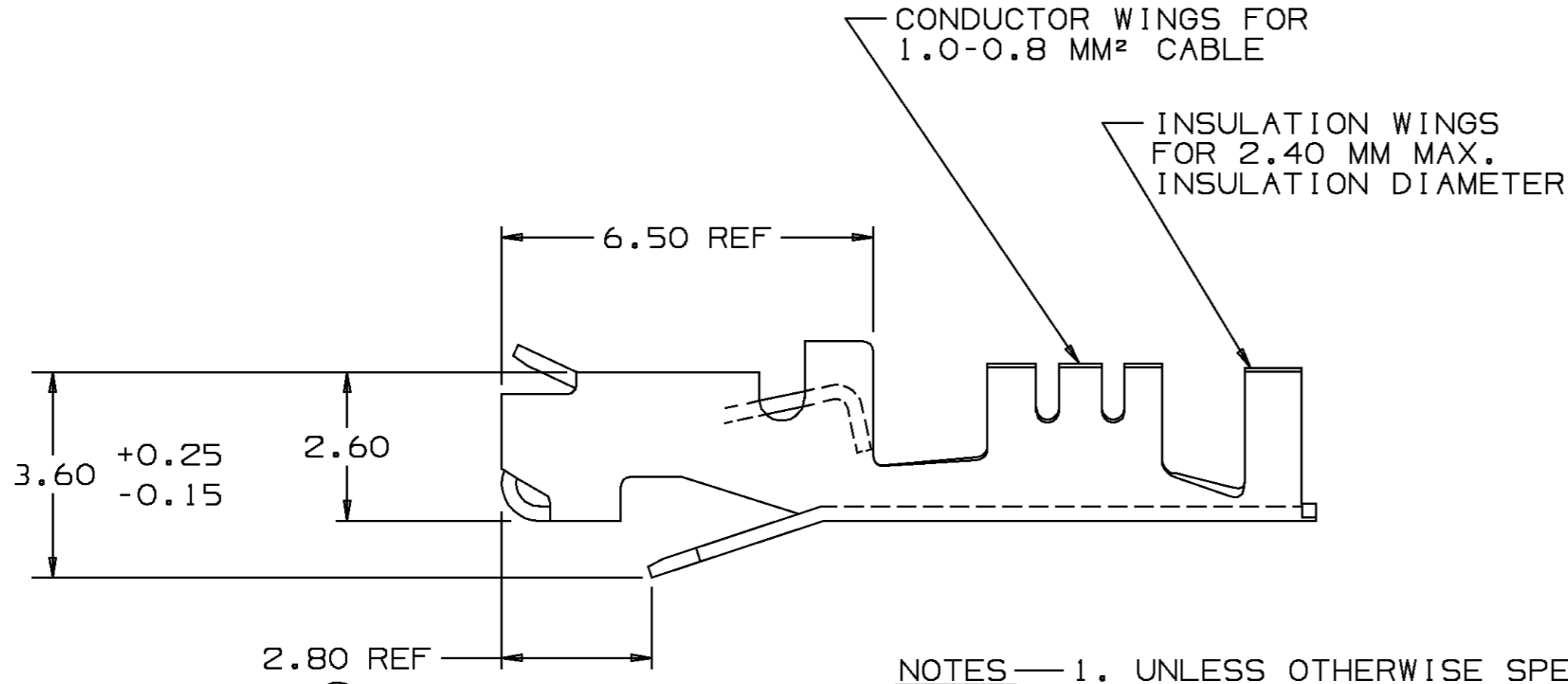
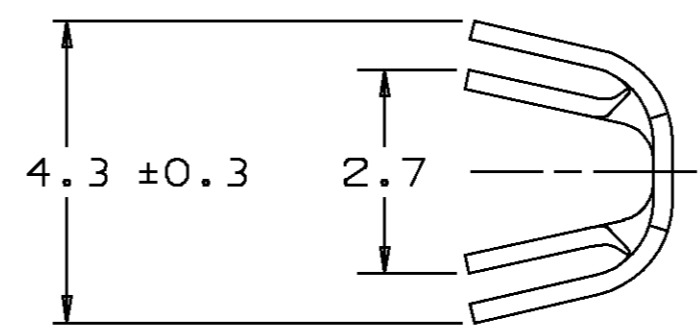
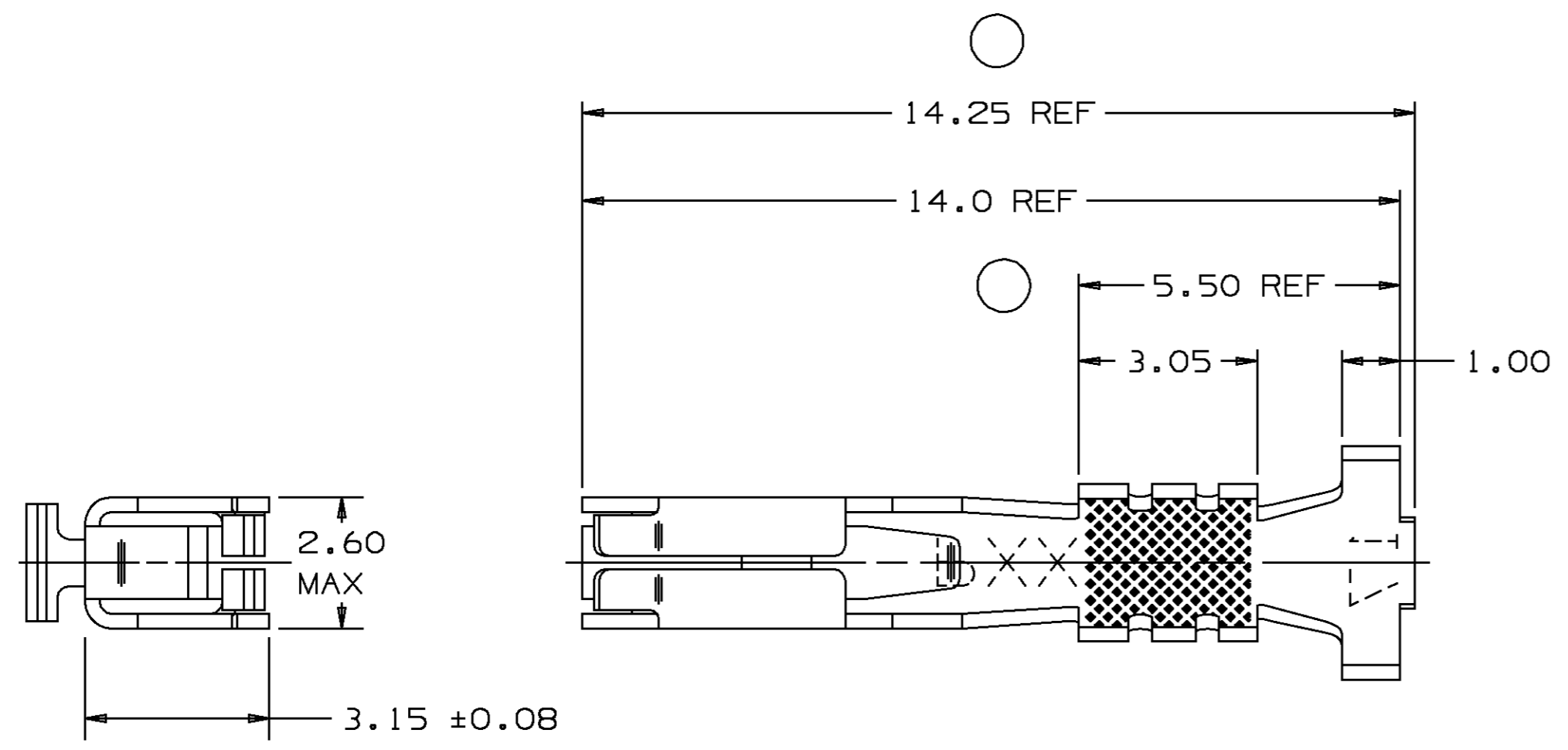
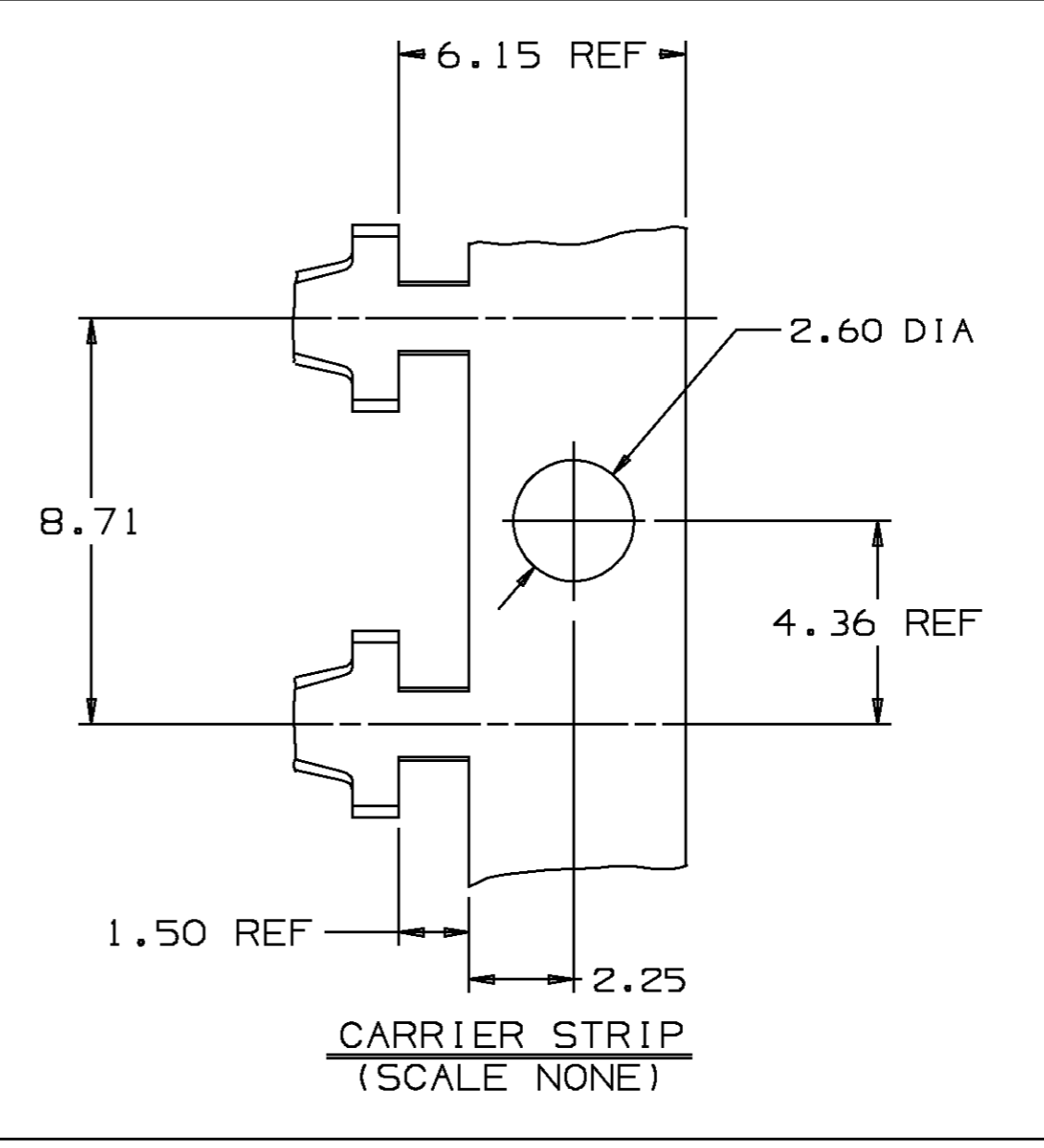


THIS DRAWING AND DESIGN HEREON CONSTITUTES A PROPRIETARY DESIGN OF PACKARD ELECTRIC DIVISION AND IS NOT TO BE DUPLICATED OR REPRODUCED WITHOUT AUTHORITY OF PACKARD ELECTRIC DIVISION

DO NOT SCALE

PACKARD ELECTRIC DIVISION
GENERAL MOTORS CORPORATION
WARREN, OHIO

PART NO
1210 3881



- NOTES** — 1. UNLESS OTHERWISE SPECIFIED AND/OR INDICATED: DIMENSIONS ARE TO FACE OF VIEW SHOWN AND AUTOMATICALLY ROUNDED BY COMPUTER FOR INSPECTION. (SEE MATH MODEL FOR PRECISE DIMENSION)
2. DIMENSIONS MARKED "REF" ARE FOR REFERENCE ONLY AND NO TOLERANCE LIMITS ARE ESTABLISHED.
3. ENGAGE : 3-10N
DISENGAGE : 1.5-8N
4. REFERENCE PACKARD GAGE # G-8261

DATE	SYM	REVISION RECORD	AUTH	DR	CK
24SE92		REDRAWN AND UPDATED TO LATEST STANDARDS			
		REV LEVEL REMAINS AT "A"	920007	JK	JC
24FE93		REDRAWN TO "C" SIZE			
		REV LEVEL REMAINS AT "A"	154464	DE	DE
05AU94		ADDED 4.3±0.3 DIM- NO REV UPDATE	161276	TW	TW
09N094		DRAWING REVISED PER CUSTOMER REQUEST			
		REV LEVEL REMAINS AT "A"	164566	JVM	SMP
25MR96	B	REVISED	171061	JOS	JOS
21JN96		REVISED - REV LEVEL REMAINS AT "B"	173815	MRG	RPC

PART NO
1210 3881

		METRIC DIMENSIONS ARE IN MILLIMETERS UNLESS OTHERWISE SPECIFIED	
THIRD ANGLE PROJECTION		TOLERANCE UNLESS OTHERWISE SPECIFIED DECIMAL: ANGULAR ±1°30'	
		ONE PLACE ± 0.2 TWO PLACE ± 0.10 DES HENRY HOKE 22MY91	
CODE NO 6900 6901	QC	DR HENRY HOKE 22MY91	CK DAVID BECK 06JN91
DWG DATE 22MY91	SCALE NONE	REFERENCE NO 12020717 "AO" SIZE	APPR VOL CM ³
MATERIAL SPEC 0.254 THK SILICON BRONZE - TIN PLATED			
NAME TERM F M/P 150 SER P25			
PART NUMBER 1210 3881		SIZE A2	